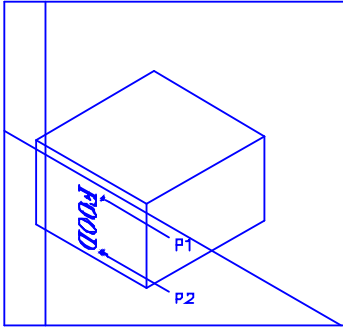
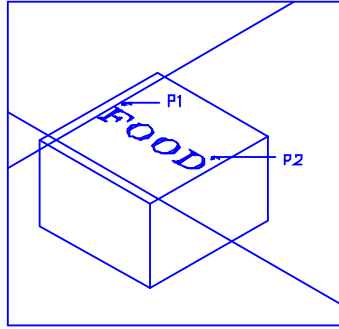


Title: Align text on Isometric surfaces.
Filename: ISOTEXT.dwg
Author: Roger D. Secura
Date: 7-8-12

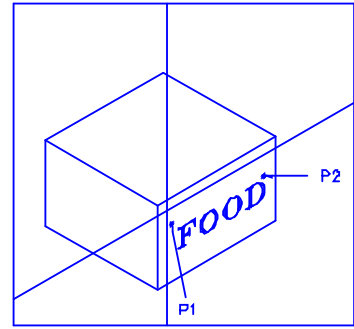
DTEXT (Rotation)=30° STYLE (Oblique) =30°



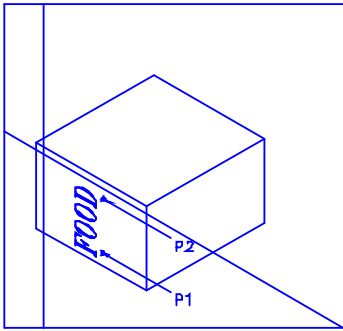
a



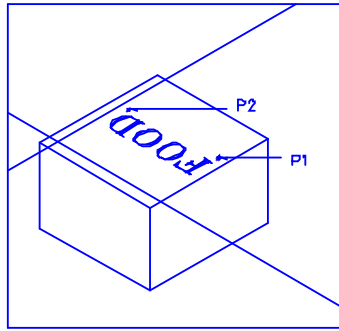
b



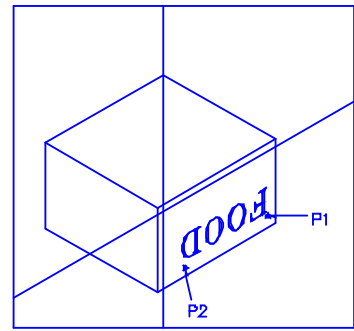
c



d

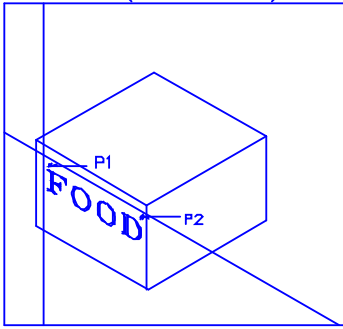


e

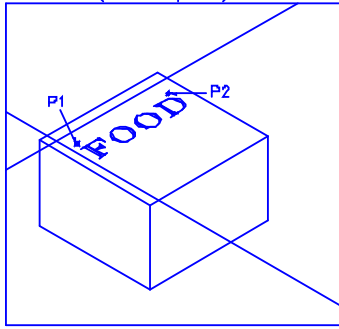


f

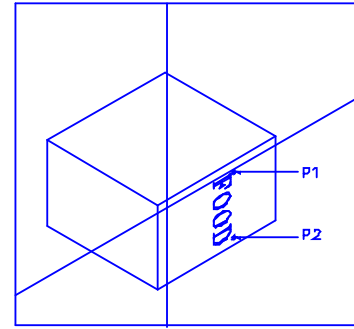
DTEXT (Rotation)=-30° STYLE (Oblique) =-30°



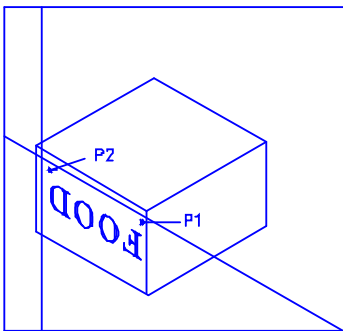
g



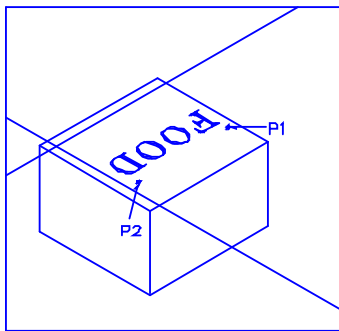
h



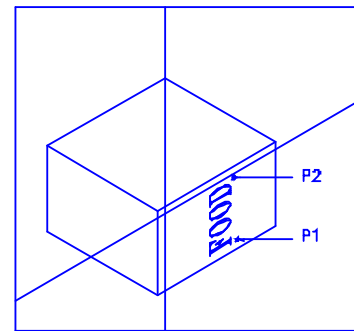
i



j



k



l

Text can be align along the surface of a box by rotating the crosshairs (type Snap, Style, select 'Isometric' and then use Ctrl E to change crosshair rotation) and by matching Oblique and Rotation Angles.