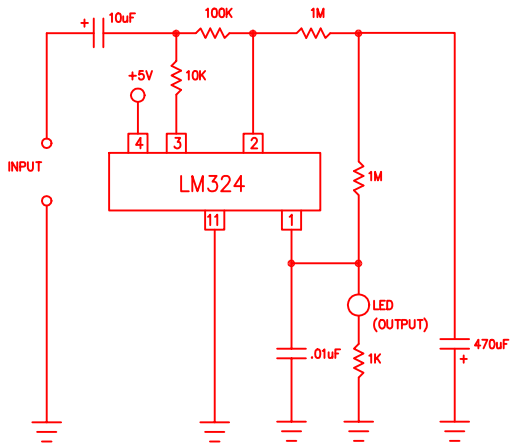
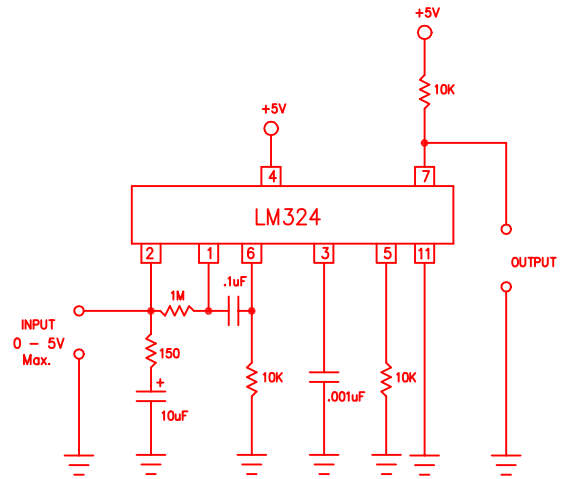


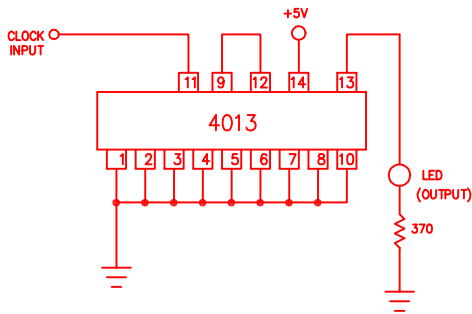
ONE SHOT FROM A LM324



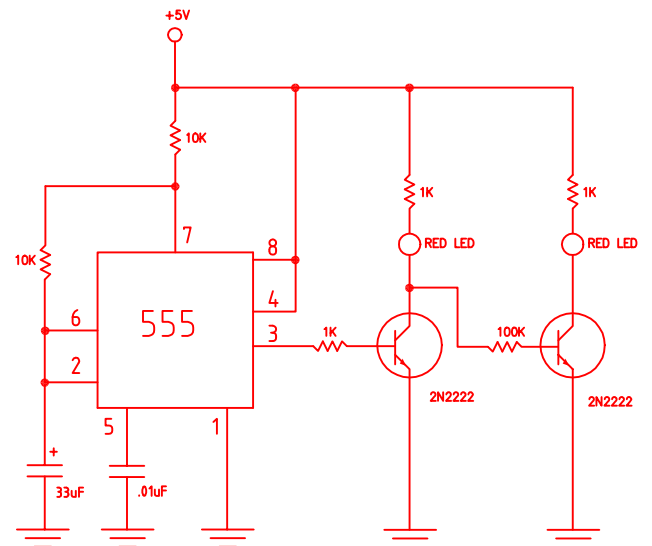
AMP & COMPARATOR CIRCUIT



TOGGLE FROM A 4013



RAILROAD CROSSING FLASHING LIGHTS



LATCH - USING TWO TRANSISTORS

